



Technical Information

Reach Stackers

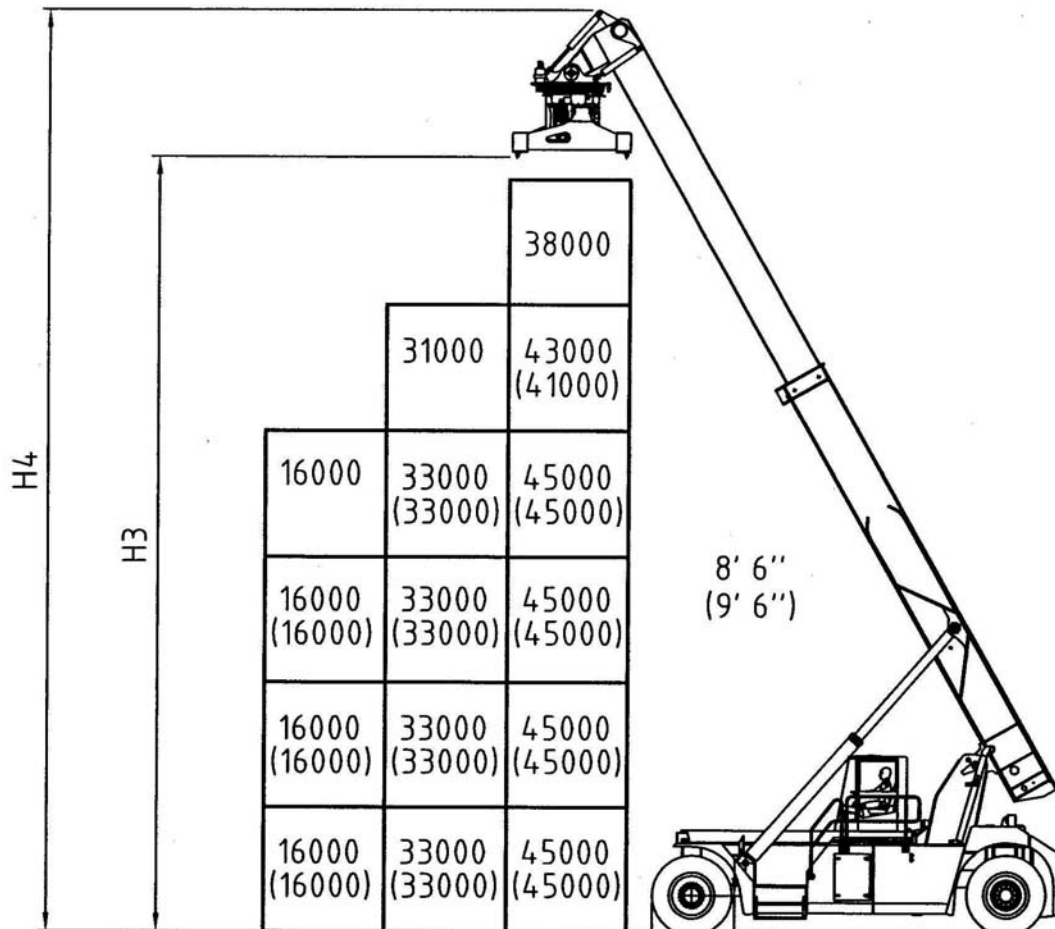
**CVS FERRARI
F 478**

SPECIFICATION	01 Manufacturer				CVS FERRARI	CVS FERRARI	
	02 Model				F 478	F 478 PB	
	03 Lifting capacity	First Row/Second Row		Kg.	45000/33000	45000/27000	
	03 Lifting capacity	under spreader + Piggy Back		Kg.	45000	45000	
DIMENSIONS	04 Load Center	First Row/Second Row	L1/L2	mm.	1780/3850	1780/3850	
	15 Overall dimensions	Length without boom		mm.	8460	8460	
		Length with spreader	L	mm	11990	12015	
	16	Width	B	mm.	4184	4184	
	17	Boom height, Min.	H1	mm.	4810	4810	
	18	Boom height, Max	H4	mm.	19100	19100	
	19	Height - Top of Cab	H5	mm.	3784	3784	
	20	Seat height	H	mm.	2680	2680	
	DRIVING SYSTEM	40 Engine	Manufacturer - Type			CUMMINS QSM11**	
		41	Rating - DIN 6271		kW/(hp)	250 (335)	250 (335)
42		Rated Speed		RPM	2100	2100	
43		Peak Torque - at engine speed		Nm/RPM	1674 / 1000	1674 / 1000	
44		Number Cylinders - swept volume		cm3	6 / 10800	6 / 10800	
45		Compression Ratio			16.3:1	16.3:1	
51 Clutch		Clutch type			Torque converter	Torque converter	
	52 Hydraulic pressure	For attachments		Bar	140	140	
	53 Sound Level	Inside Cabine – According to			EN 12053	EN 12053	

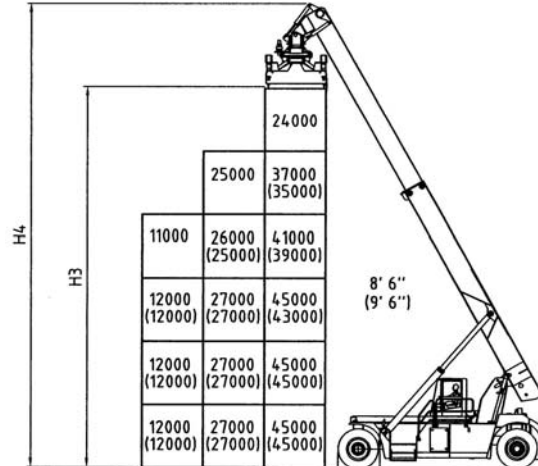
* Booster option

** Optional engines: SCANIA DC1258 (257 kW)

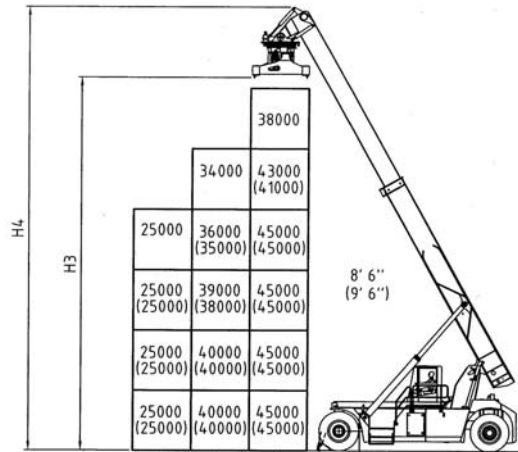
Ferrari mod. F 478



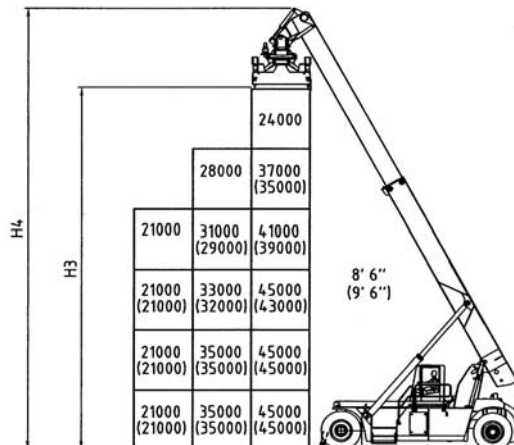
Ferrari mod. F 478 PB (with Piggy Back)

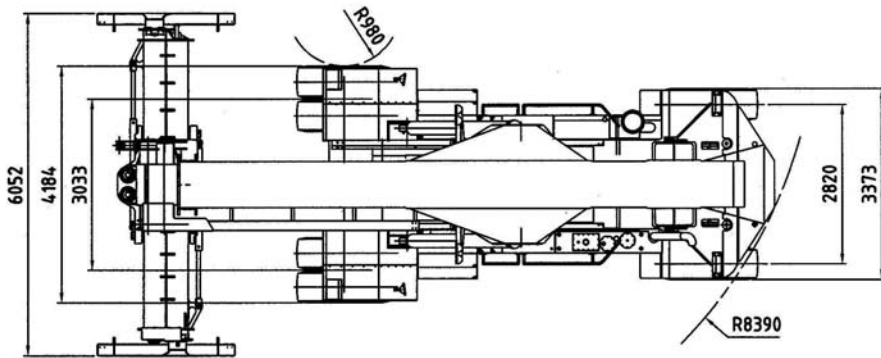
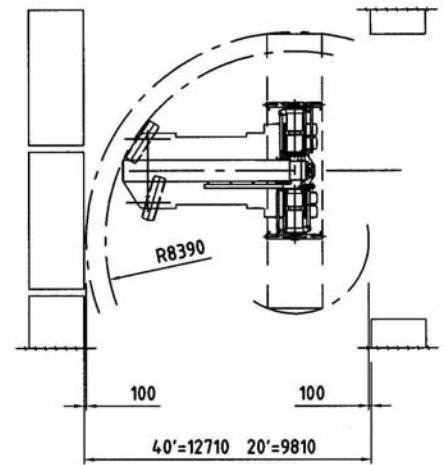
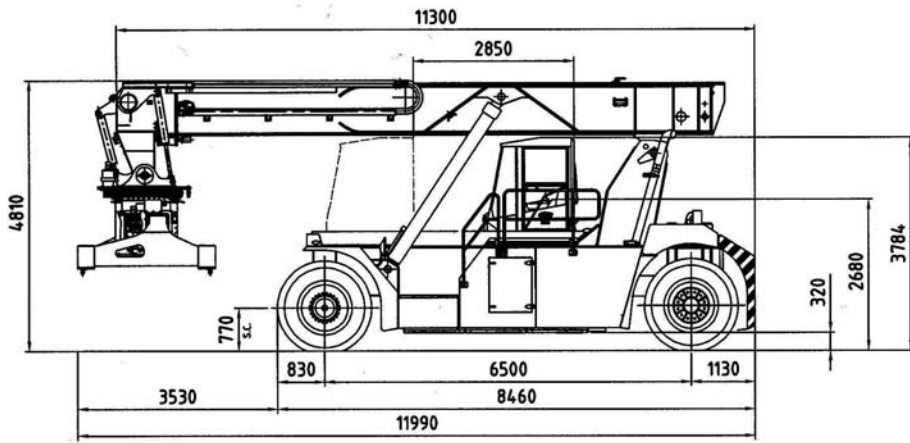


Ferrari mod. F 478 S (with stabilizers down)



Ferrari mod. F 478 PBS (with Piggy Back and stabilizers down)





CHASSIS

All welded box type. Torsion resistant structure. Low center of gravity.

ENGINE

CUMMINS QSM11.
Euro mot step 3. Best performances and lowest fuel consumption. Low polluting level.

TRANSMISSION

CLARK TE 32 - Integrated torque converter and power shift - 4 Speeds forward and 4 speeds reverse.

FRONT AXLE

Extra wide front axle for maximum stability. Hub reduction. Wet disc brake. Oil cooling. Extra heavy duty type.

REAR AXLE

Articulating axle with double acting single cylinder. Rubber shock absorbers. Full hydrostatic steering system (Orbitrol) with priority valve.

HYDRAULIC SYSTEM

Variable displacement pumps. Load sensing proportional distributor controlling telescoping and lifting. Anti-saturation LUDV system. Electrical multifunctional joystick. Oil cooling system.

ELECTRICAL SYSTEM

Modular system with diagnostic capability. Reliable and easy to service. 24V. - Two 12V. batteries of low maintenance type. Electric/electronic control of the machine based on CAN BUS technology.

BOOM

High torsion - High quality steel. One basic outer section and one inner telescopic section.

SPREADER:

Highest strength steel. Compact and precise. Telescoping from 20' to 40'. All functions controlled from cab. Side mechanical tilting. Damping cylinders. Safety sensors on four corners.

The illustrations and data contained in this brochure are not binding. The manufacturer reserves the right to make changes for any reason while not altering the primary specifications



CVS FERRARI S.r.l. - Via Emilia - 29010 Roveleto di Cadeo (PC) ITALY
Tel. ++39.0523.503511 - Fax ++39.0523.500439
E-mail: info.mktg@cvsferrari.com

Distributed & Serviced by: