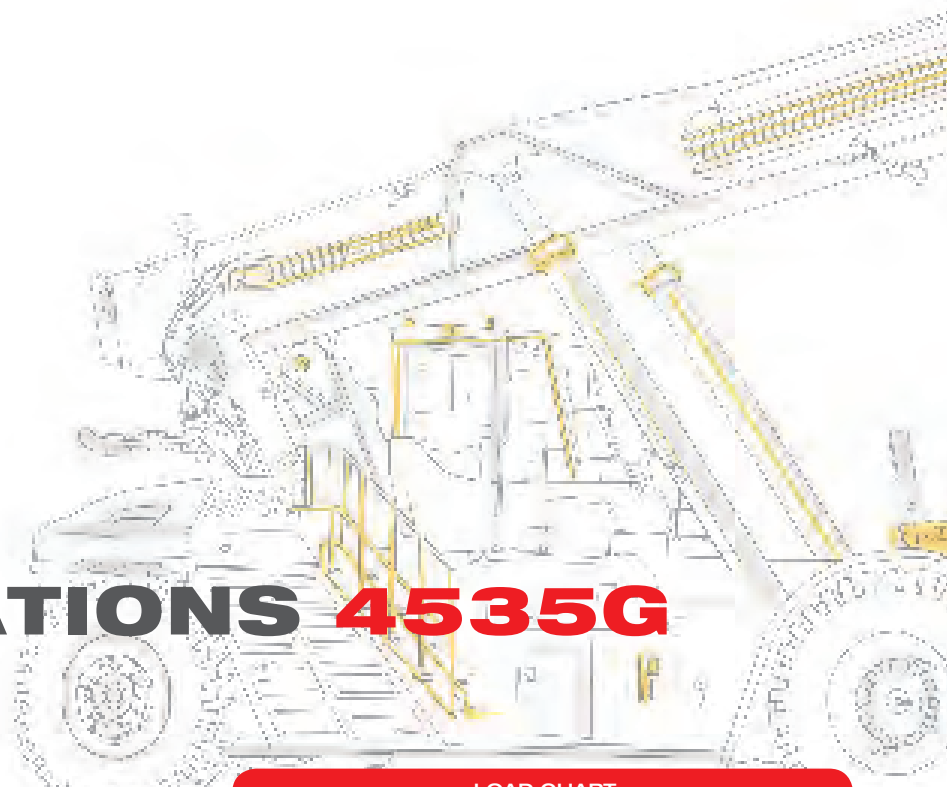


SRSC4535G / SRSC4535G-P DATA SHEET



SANY
GERMANY

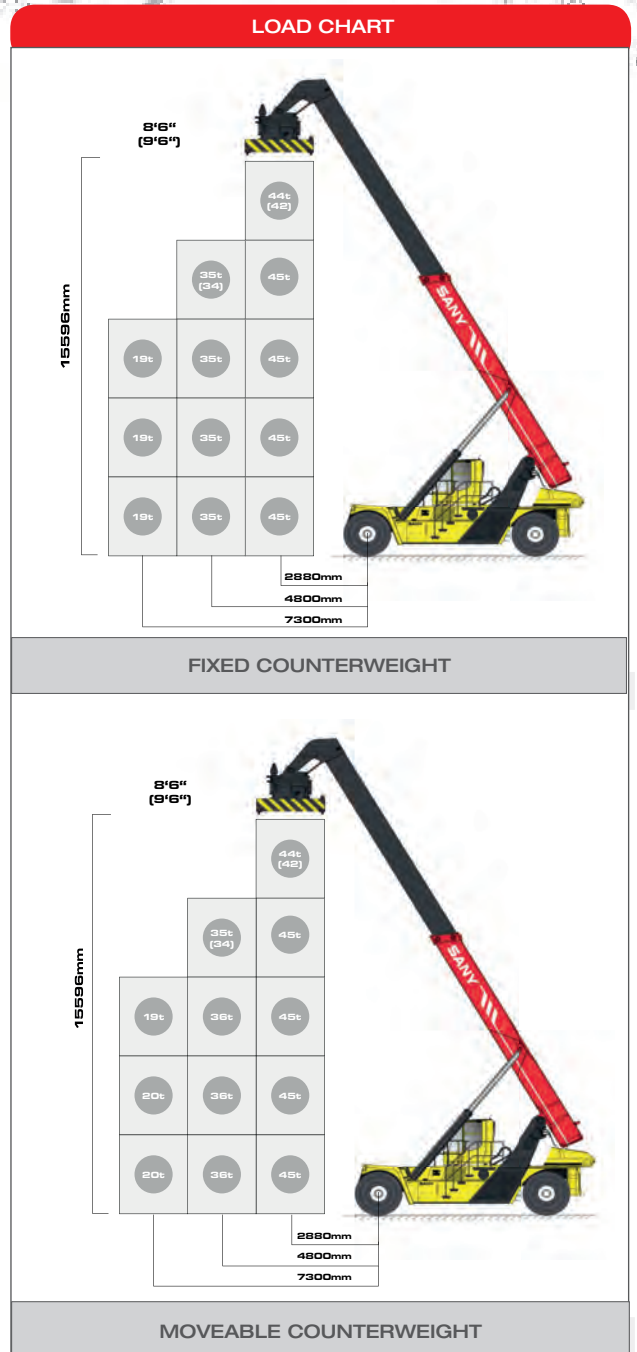


SPECIFICATIONS **4535G**

POWERTRAIN SYSTEM AND SPREADER		
	Tier IIIa	Tier IVf
Engine	Volvo TAD-952VE	Volvo TAD1171VE
Rated Power	240kW/2100	265kW/2100
Gearbox	Clark 15.5HR36000	
Drive Axle	Kessler D102 PL341	
Spreader	Elme 817 or SANY SDJ450F	

OVERALL WEIGHTS			
Overall Weight without Load	kg	81200	
Axle Weight without Load Front/Rear at L1	kg	37700/43500	
Axle Weight with Max. Load Front/Rear at L1	kg	102200/24000	
Axle Weight with Max. Load Front/Rear at L2	kg	103500/12700	
Axle Weight with Max. Load Front/Rear at L3	kg	89100/11100	

PERFORMANCE			
Max. Load	kg	45000	
Stacking Layer		5	
Max. Towing ability	kN	325	
Max. Lifting Speed Laden / Unladen	mm/s	250/420	
Max. Lowering Speed Laden / Unladen	mm/s	360/300	
Max. Driving Speed Laden / Unladen	km/h	21/25	
Max. Gradeability Laden / Unladen	%	26/44	
Hydraulic Pressure	bar	240	
		Tier IIIa	Tier IV
Noise Level in cabin LpA dB	76	71	
Noise Level outside LwA dB	109	104	
Noise level outside with noise reduction kit LwA dB	105	-	





SPECIFICATIONS 4535G-P

POWERTRAIN SYSTEM AND SPREADER

	Tier IIIa	Tier IVf
Engine	Volvo TAD-952VE	Volvo TAD1171VE
Rated Power	240kW/2100	265kW/2100
Gearbox	Clark 15.5HR36000	
Drive Axle	Kessler D102 PL341	
Spreader	Elme 857 or SANY SDJ450P	

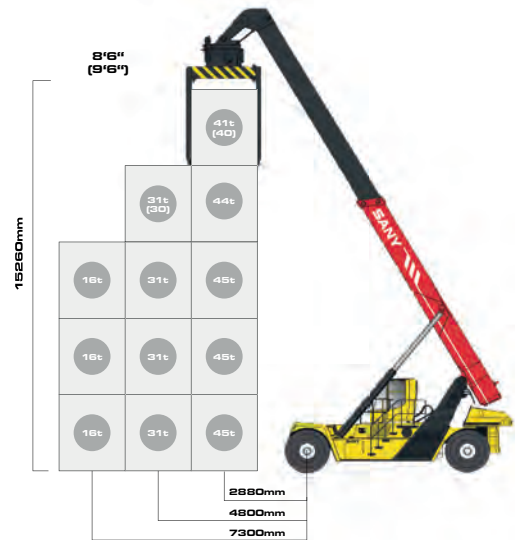
OVERALL WEIGHTS

Overall Weight without Load	kg	83900
Axle Weight without Load Front/Rear at L1	kg	42100/41800
Axle Weight with Max. Load Front/Rear at L1	kg	107000/21900
Axle Weight with Max. Load Front/Rear at L2	kg	102000/12900
Axle Weight with Max. Load Front/Rear at L3	kg	89900/10000

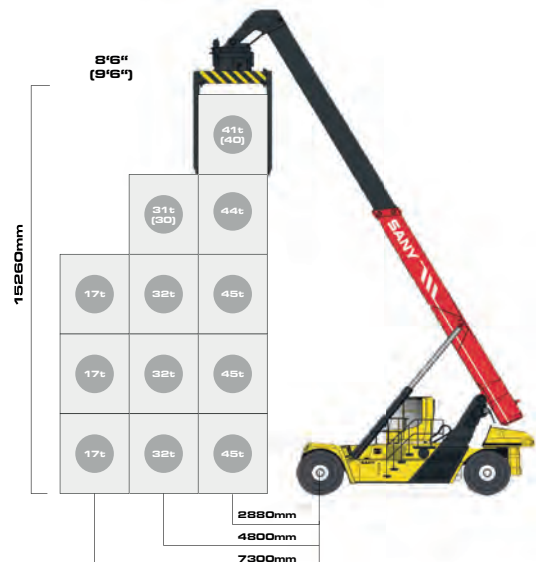
PERFORMANCE

Max. Load	kg	45000
Stacking Layer		5
Max. Towing ability	kN	325
Max. Lifting Speed Laden / Unladen	mm/s	250/420
Max. Lowering Speed Laden / Unladen	mm/s	360/300
Max. Driving Speed Laden / Unladen	km/h	21/25
Max. Gradeability Laden / Unladen	%	25/43
Hydraulic Pressure	bar	240
	Tier IIIa	Tier IV
Noise Level in cabin LpA dB	76	71
Noise Level outside LwA dB	109	104

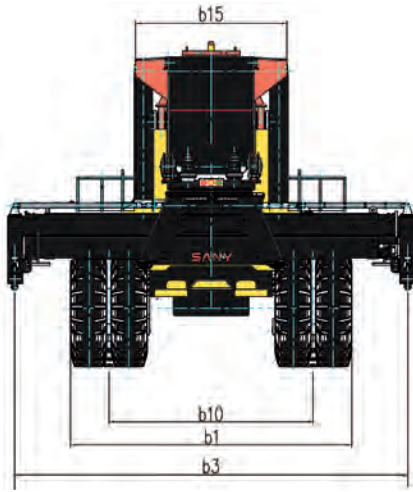
LOAD CHART



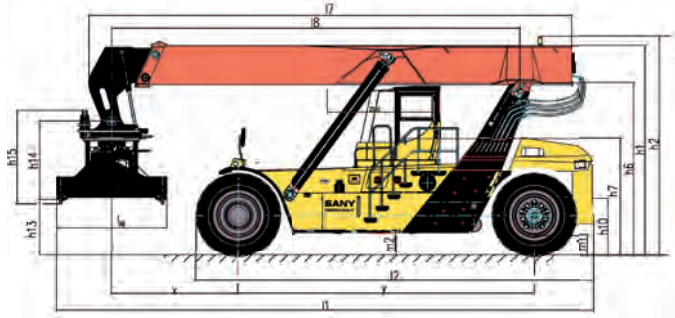
FIXED COUNTERWEIGHT



MOVEABLE COUNTERWEIGHT



DIMENSIONS



OVERALL DIMENSIONS

		SRSC4531G-P	SRSC4531G
		mm	mm
l1	Overall Length	11960	11960
l2	Overall Length Chassis	8864	8864
l7	Overall Length Boom	10747	10747
b15	Boom Width	2255	2255
y	Wheel Base	6500	6500
x	Distance from center of Drive Axle to Load center	2814	2814
b3	Overall Width	6042-12175	6042-12175
h1	Overall Height without Rotating Flashing Beacon	4800	4800
h2	Overall Height with Rotating Flashing Beacon	4895	4895
h6	Overall Height Chassis without Boom	3880	3880
m2	Min. Ground Clearance	400	400
h4	Max. Boom Height	18118	18118
h3-L1	Max. Lift Height in First Row	14907	15387
h3-L2	Max. Lift Height in Second Row	13418	13899
h3-L3	Max Lift Height in Third Row	10424	10904
h7	Seat Height	2606	2606
h10	Towing Pin Height	1300	1300
L8	Min. Distance Spreader pin to Chassis pin	9094	9094
lsp	Spreader Width	2420	2420
h15	Spreader Height	2150	2076
b1	Overall Width Front Axle	4190	4190
b2	Overall Width Rear Axle	3310	3310
b10	Track Width Center of Front Tire	3033	3033
b11	Track Width Center of Rear Tire	2790	2790
b13	Turning Radius from Load center to center of machine	3386	3386
R1	Turning Radius Load center to outer edge of drive axle	1300	1300
Wb/Wd	Turning Radius with 20' Container Max/Min	8947/1719	8947/1719
Wa/Wc	Turning Radius with 40' Container Max/Min	9582/3123	9582/3123
Ast-20'	Width 20' Container Passage	11266	11266
Ast-40'	Width 40' Container Passage	13305	13305
	Tilt [°]	0-60	0-60
	Standard Tyre Size	18.00 - 33''	18.00 - 33''

